

The SFX Gel Audio transducer produces high quality sound when placed against a wide range of materials. When the SFX GA transducer is placed against a material that material becomes a loudspeaker.

## Features

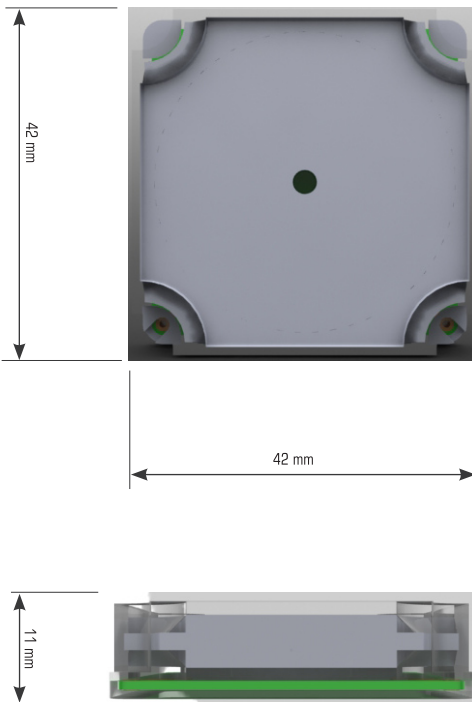
<b>Sound Pressure Level</b>	90 +/- 5dB at 1W/1m, at 1000Hz
<b>Impedance</b>	6 Ohms*
<b>Frequency Range</b>	50Hz-7kHz (Related to surface being driven)
<b>Power Handling</b>	5 W (R.M.S)
<b>Magnet</b>	N48
<b>Weight</b>	50g (approx.)
<b>Connector</b>	Solder point

\*(Contact SFX for other impedance GA driver requests)

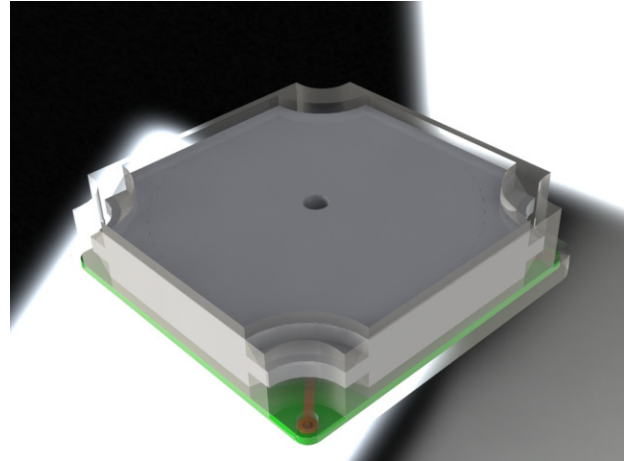
## Applications

The GA08 is a gel encased low frequency driver. Like conventional loudspeaker technology, the SFX GA transducer can be used to deliver sound in a variety of consumer electronic applications, including computers, LCD Tv's, phones and mp3 players.

## Dimensions

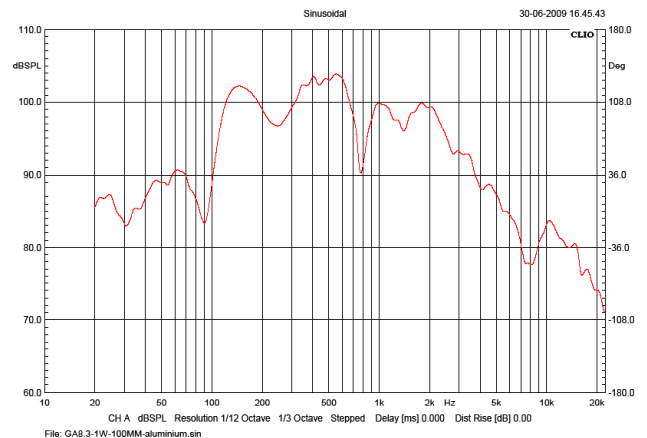


© SFX TECHNOLOGIES LTD 2009 Information contained herein is the property of SFX Technologies Limited.



## Performance Characteristics

Frequency Response - ABS Panel



Impedance

