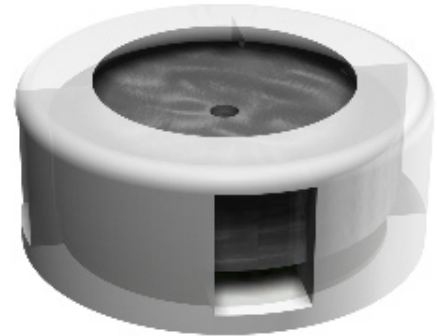


The SFX Gel Audio transducer produces high quality sound when placed against a wide range of materials, including glass, plastics, metals, wood, composites and even some fibrous materials. When the SFX GA transducer is placed against a material that material becomes a loudspeaker. SFX Technologies has developed a Gel Audio Transducer design with its structure in permanent contact with a panel, without being bonded to it. The GA7 is designed to be more efficient over low frequencies.

## Features

<b>Sound Pressure Level</b>	88 +/- 5dB at 1W/1m, at 1000Hz
<b>Impedance</b>	8 Ohms*
<b>Frequency Range</b>	30-5000Hz (Related to surface being driven)
<b>Power Handling</b>	5 W (R.M.S)
<b>Magnet</b>	N48
<b>Weight</b>	80g (approx.)
<b>Connector</b>	Open wire ends

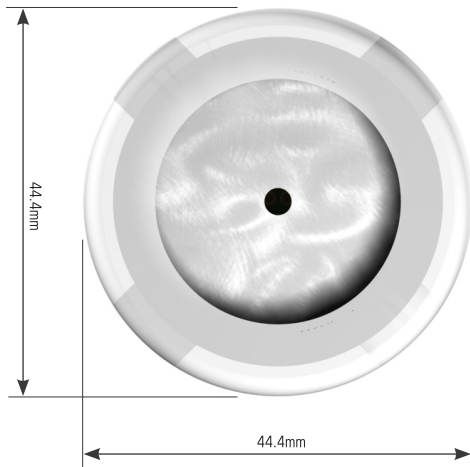
\*(Contact SFX for other impedance GA driver requests)



## Applications

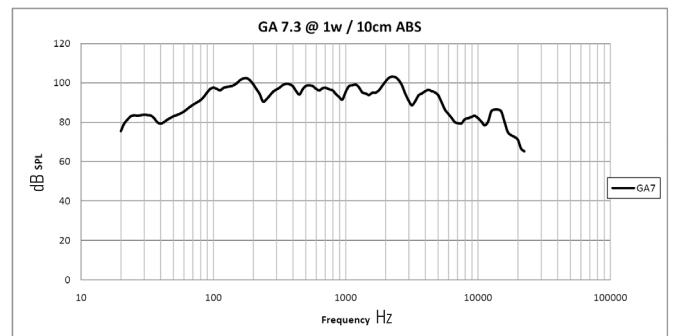
The GA7 is a bracket less driver to be fitted internally within a casing surround. Like conventional loudspeaker technology, the SFX GA transducer can be used to deliver sound in a variety of applications ranging from hi-fi and consumer electronics to in-car audio and architectural uses.

## Dimensions



## Performance Characteristics

Frequency Response - ABS Panel



GA 7.3 Response @ 1W / 10 cm Stepped signal 1/3 of Octave resolution 10Hz-20KHz

